

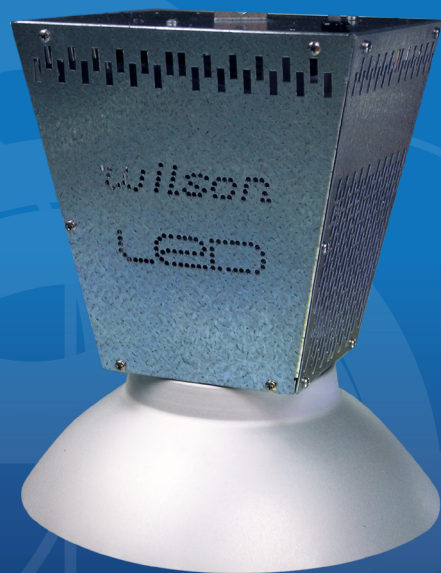
*wilson*  
**LED**  
DESIGN LIGHTING

...innovative LED lighting solutions

The Wilson **LEDBAY** 250 LED highbay is designed to be a direct replacement to conventional 400w highbay lighting in a wide variety of industrial applications such as warehouses, factories, cold storage, loading bays and Sports Stadiums.

The Wilson **LEDBAY** 250 uses approximately half the energy of a 400w HID (High Intensity Discharge) highbay\*. Featuring instant start up and high lumen output while incorporating new LED technology.

\* Energy savings are based on conventional 400w HID lighting that consumes on average 490w.



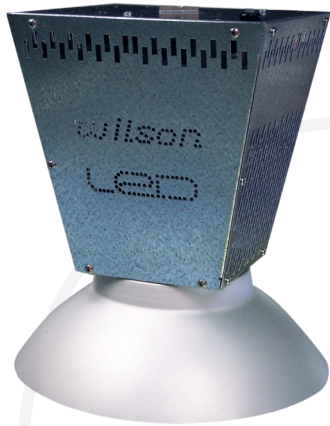
*wilson*  
**LEDBAY**  
250w LED HIGHBAY

**250w = 400w HID**

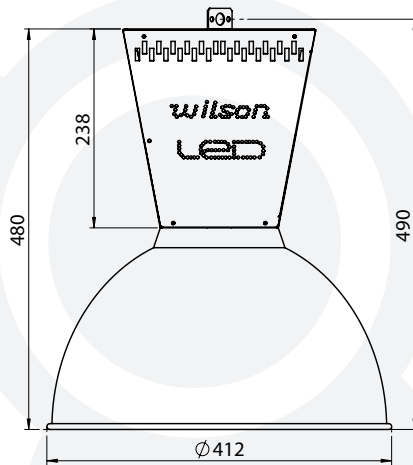
LED

UV & MERCURY FREE

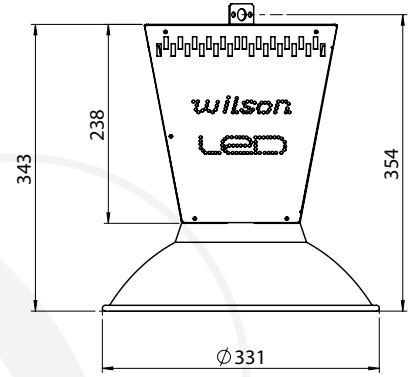
ECO FRIENDLY



**wilson**  
**LEDBAY**  
250w LED HIGHBAY



**LEDHB250**



**LEDHB250S**

### Applications

- Warehouse
- Cold storage
- Factories
- Loading bays
- Sports stadiums

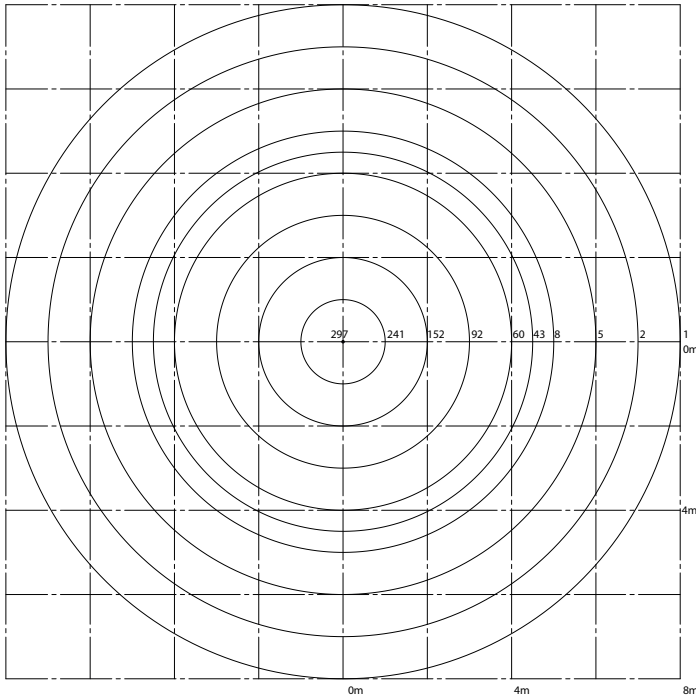
### Specifications

**Operating Voltage:** 230v  
**Total system power consumption:** 260w, 1.13Amps  
**Ambient Operating Temperature:** -18°C to +55°C  
**Viewing Angle Optional:** Half reflector 130°/Full reflector 90°  
**Fixture weight:** 4.8kg LEDHB250  
**Mounting:** Hook/Chain mounting, 1m flex and plug

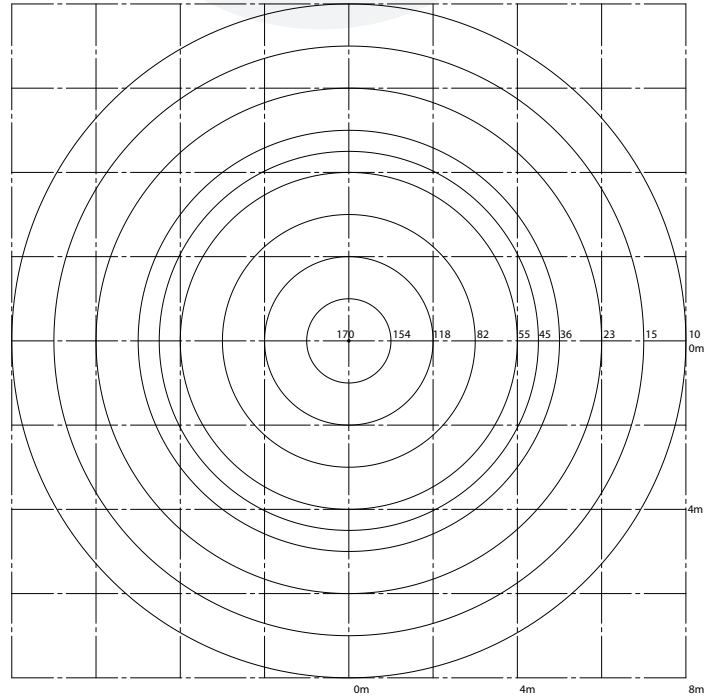
### Construction

**Body:** Durable galvanised steel  
**Reflector:** Aluminium

### Photometric Information



Isolux plot is for direct flux only, Inter reflection has not been considered



Isolux plot is for direct flux only, Inter reflection has not been considered

Light:	LEDHB250
Light source:	250LED
Kelvin:	6500K
Height:	5m
Illuminance angle:	90°
<b>FULL REFLECTOR</b>	

Light:	LEDHB250S
Light source:	250LED
Kelvin:	6500K
Height:	5m
Illuminance angle:	130°
<b>HALF REFLECTOR</b>	

